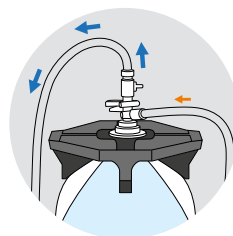


**Quick & easy:
Gastro and event
technology!**



AQUA MANAGEMENT



SHOP NOW!
spuelboy.de

phone: +49 202 695320

AQUA MANAGEMENT

KEG TECHNOLOGY

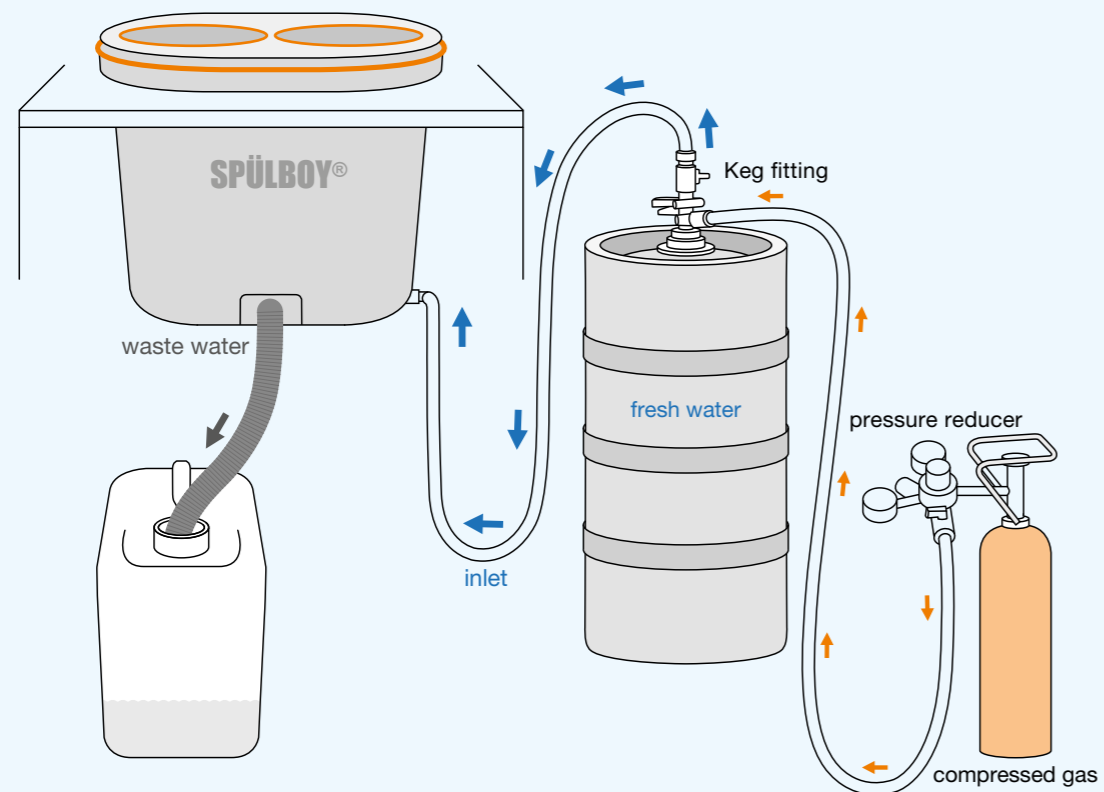


Maximum benefits: sustainable Aqua Management with light containers.

SPÜLBOY® is more than just a developer of manual glasswashers. We think ahead and are pioneers for an innovative concept of fresh and drinking water supply.

So that your guests are enabled to wash glasses and reusable cups 100% hygienically clean at any events worldwide.

**Portable
fresh
drinking
water!**



CONTENT

READY TO GO



Welcome to the NU® world

NU on Tour® A STAR

NU on Tour® counters

NU on Tour® tables

NU on Tour® Aqua Management

- complementary sets
- equipment for set articles
- Keg technology

How to fill the Keg

**quick & easy
refillable**



WELCOME

TO THE NU® WORLD

The new generation has arrived!

Time for a cool look and even more performance – the SPÜLBOY NU® offers all the typical SPÜLBOY® benefits and a hygienic design that inspires.

One device, one solution: sustainability in its cleanest form.

NU® glasswashers are 100% flexible und and available as standard versions, portable devices and customised built-in units.



Easy going!
With the easy clix® connection the fresh water hose is connected to the SPÜLBOY® devices in one easy step.



The blue for pros!
Drinking water hose for operations at trade fairs, folk festivals and outdoor events of all kinds.
(tested according to DVGW, W 270, VP 549 and KTW A)

Glasswashers * incl. inlet hose

| Art.-no. | Description | Use |
|----------|------------------|---|
| 1700140 | NU® water+* | glasswasher with PUSH! function for extra freshwater |
| 1700240 | NU® pro Iceblue* | glasswasher with body & brushes made of antimicrobial materials |
| 1700414 | NU® cleaning kit | starter package for the cleaning of glasses detergent tablets, brush sanitizer & a brush head |

Accessories

| Art.-no. | Description | Use | Dimensions |
|----------|---------------------------|--|------------|
| 2940 | drip mat double pack | non-slipping & breathable surface for your glasses | 30 x 40cm |
| 2950 | drip tray, small with mat | non-slipping & breathable surface for your glasses | 43 x 34cm |
| 2955 | drip tray, big with mat | non-slipping & breathable surface for your glasses | 63 x 43cm |

Connection hoses standard

| Art.-no. | Description | Use | Permit |
|----------|---------------------|---|--------|
| 1700690 | NU® connection hose | 70cm, easy clix®, 3/8" thread, fits for all NU® devices | |
| 1700680 | NU® drain hose | 100cm, fits for all NU® devices | |

Connection hoses special

| Art.-no. | Description | Use | Permit |
|----------|-----------------------------|-----------------------------------|-------------------------|
| 1000089 | connection hose KTW A, blue | 70cm, can be extended (surcharge) | according to DVGW W-270 |
| 1000082 | extension piece KTW A, blue | 1m extension for article 1000089 | according to DVGW W-270 |

NU on Tour® A STAR

Cheers to the A STAR!

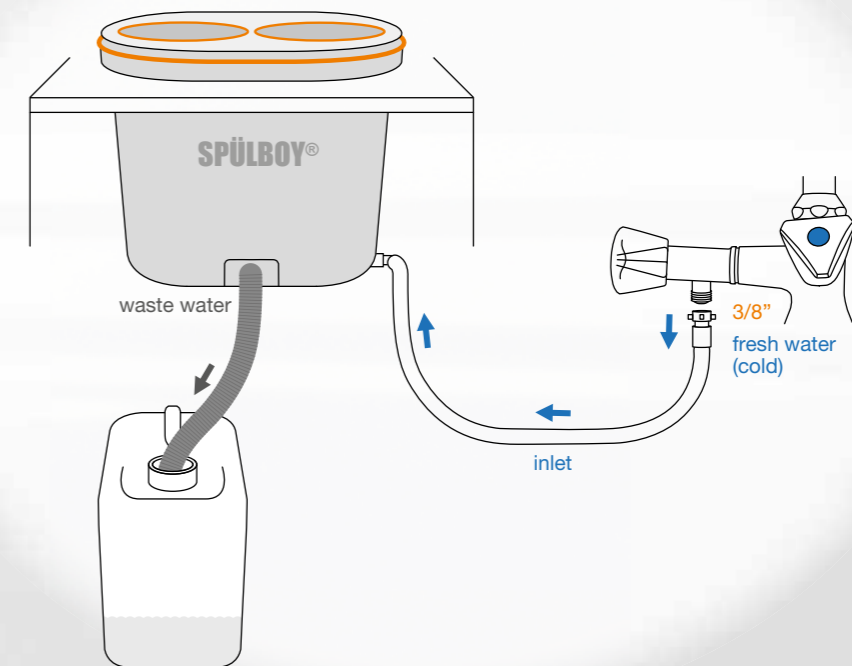
NU on Tour® A STAR glasswashing stations are the essence of durability, resilience and aesthetic design. The SPÜLBOY® stainless steel modular counter is not only a visual highlight, but also impresses with its functionality.

Developed for the highest demands and professional use and optimally suitable for all types of events and shows.



Rollable A STAR hygiene modules Width: 60cm • Depth: 50cm • Height: 98cm • approx. 40kg (net)

| Art.-no. | Description | Equipment |
|----------|---------------------------------------|--|
| 1900510 | NU on Tour® A STAR module basic | stainless steel counter with solid storage area without device |
| 1900520 | NU on Tour® A STAR module glass clean | stainless steel counter with cut-out for SPÜLBOY® device |
| 1900530 | NU on Tour® A STAR module ultra | stainless steel counter with cut-out for SPÜLBOY® device, incl. hand basin and infrared sensor tap |
| 1900540 | NU on Tour® A STAR module hand clean | stainless steel counter with hand basin and infrared sensor tap |



A STAR hygiene modules can be easily connected to the fresh water supply, or alternatively connected with Keg lightweight containers if there is no fresh water available on the premises.

NU on Tour® A STAR

Maximum mobility with SPÜLBOY® glasswashing stations!

With its intelligent modular design, A STAR offers maximum flexibility and customisability. Each element is carefully designed to be seamlessly integrated into various configurations.

It's your choice.



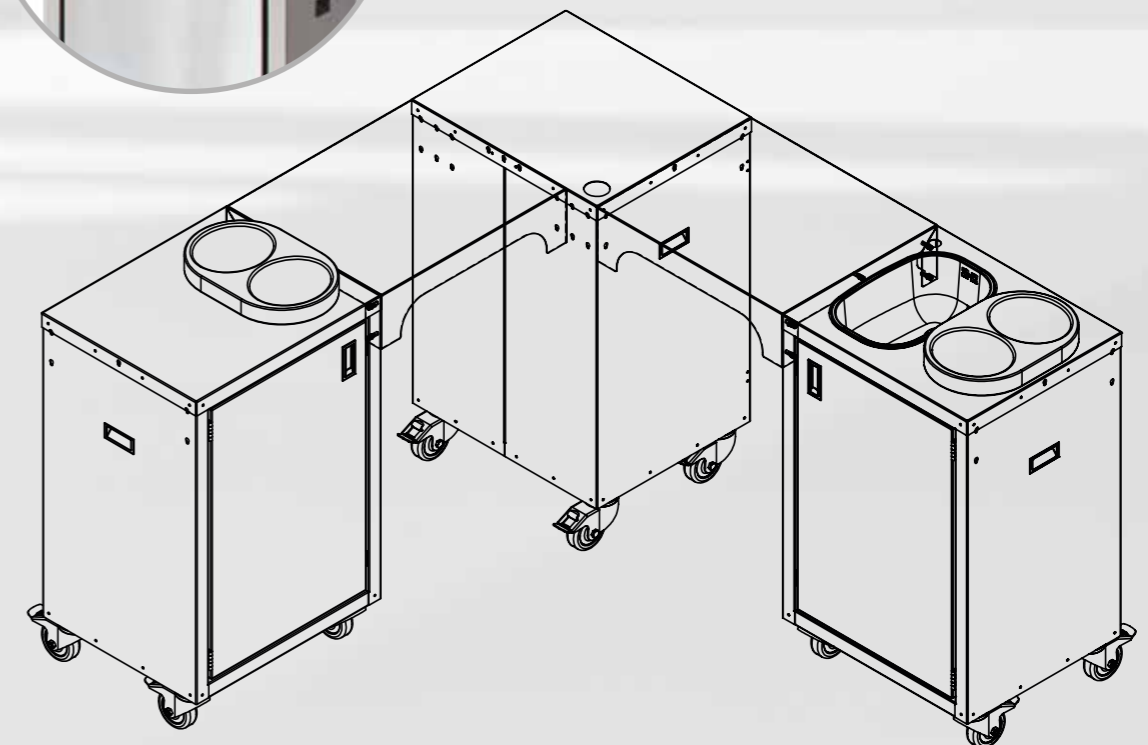
A STAR accessories

| Art.-no. | Description | Equipment |
|----------|--|---|
| 1900560 | NU on Tour® A STAR splashback panel | rear wall made of 1.5mm thick stainless steel sheet, 600 x 540mm |
| 1900570 | NU on Tour® A STAR large storage area | connecting piece made of 1.5mm thick stainless steel sheet, 600 x 500mm |
| 1900572 | NU on Tour® A STAR small storage area | end piece made of 1.5mm thick stainless steel sheet, 500 x 300mm |
| 1900562 | NU on Tour® A STAR hand hygiene set | holder for 3 dispensers: soap, sanitiser and paper towels |
| 1900574 | NU on Tour® A STAR cover for NU® devices | cover made of 1.5mm thick stainless steel sheet, 400 x 270mm |



After rinsing is before tapping!

A STAR can be optimally supplemented with a dry cooler. Pure enjoyment from the barrel to the glass!



NU on Tour® COUNTERS

NU on Tour® for pros!

Hygienically clean glasswashing wherever you want. The SPÜLBOY® glasswashing counter is made of acrylic and aluminium, can be used universally and offers environmentally friendly, hygienically perfect glass cleaning at any place in the world.

Our Performance counters are ideally suited for use at festivals and events, at city festivals, in beer tents or at private parties in the garden, kitchen or on sports fields. The mobile counter is light, robust and elegant.



Rollable washing counters Width: 80cm • Depth: 59,5cm • Height: 96cm • 29.55kg (net)

| Art.-no. | Description | Equipment | |
|----------|--|---------------------------------------|--|
| 1900114 | NU on Tour® Performance counter Profi | mobile counter with 1 NU® pro Iceblue | NU® pro built in sideways and transversely |
| 1900116 | NU on Tour® Performance counter Event | mobile counter with 2 NU® pro Iceblue | NU® pro built in transversely |
| 1900112 | NU on Tour® Performance counter Festival | mobile counter with 1 NU® pro Iceblue | NU® pro built into the middle – transversely |
| 1900124 | NU on Tour® Performance counter | mobile counter with cut-out | without NU® device |



✓ glass washing without electricity

✓ kompakt and space-saving

✓ saves valuable resources

NU on Tour® TABLES

It always works!

The NU on Tour® pickup tables are extremely practical and mobile. They can be equipped with NU® water+ devices and are ready to wash up at short notice.

Ideally suited for use at cultural events, sports grounds and city festivals, in beer tents, at private parties in the garden or in the outdoor kitchen. Your glasses are always 100% clean.

Small, foldable and ergonomic: our sink units are designed for the optimum working height and are extremely space-saving at just 110 cm wide.



Portable sink units Width: 110cm • Depth: 50cm • Height: 90cm • 16.5kg (net)

| Art.-no. | Description | Equipment | |
|----------|---------------------------------------|---|----------------|
| 1900210 | NU on Tour® pickup table basic | folding table with SPÜLBOY® cut-out | without device |
| 1900212 | NU on Tour® pickup table water+ | folding table with 1 NU® water+, ready for connection with inlet and outlet hose | |
| 1900214 | NU on Tour® pickup table professional | folding table with 1 NU® pro Iceblue, ready for connection with inlet and outlet hose | |



✓ 100% hygienic clean glasses

✓ clever glasswashing without electricity

✓ independent – bring your own freshwater

AQUA MANAGEMENT

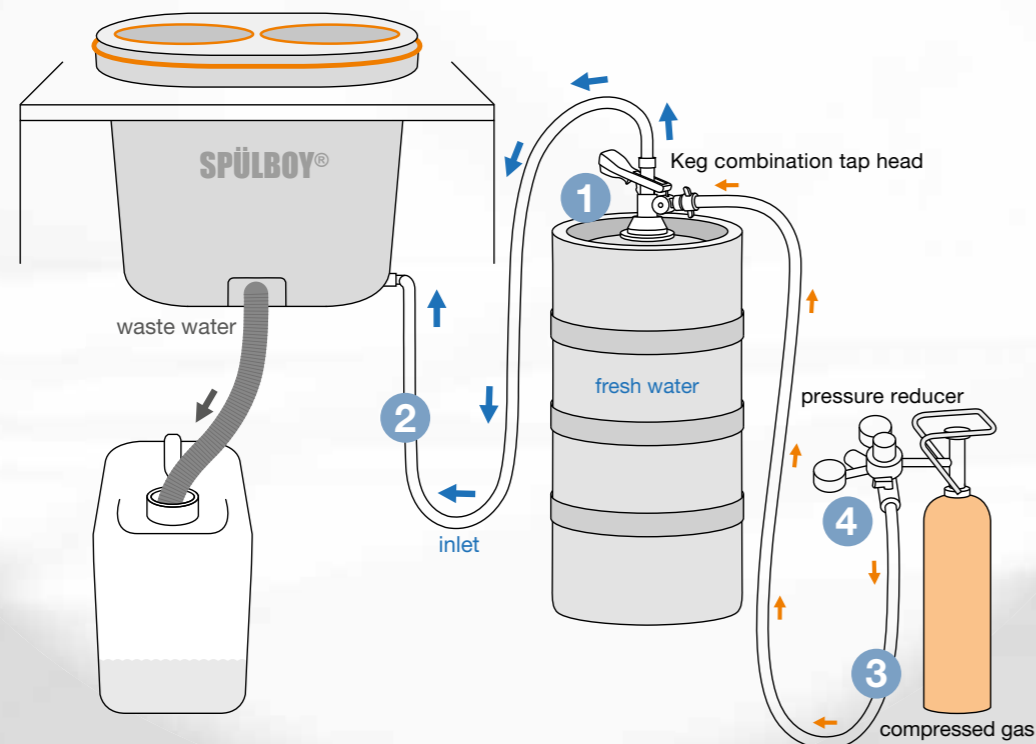
COMPLEMENTARY SETS

TYPICALLY SPÜLBOY® – quick & easy!

With our well thought-out NU on Tour® complementary sets, you are guaranteed to find an uncomplicated connection at any event. You have the choice between operation using a compressed gas bottle, the version with the electric pump in the carry case or the party pump with piston tap.

Off Road set Art.-no. 1900334

- 1 Keg combination tap head
- 2 connection hose from Keg to SPÜLBOY®
- 3 pressure connection hose
- 4 pressure reducer



Set article for operation with compressed gas, without fixed water connection

| Art.-no. | Description | Equipment |
|----------|--|---|
| 1900334 | NU on Tour® Off Road complementary set | operation with compressed gas, without fixed water connection |

The Off Road set consists of:

| | | |
|---------|--|--|
| 1900368 | Keg combination tap head | |
| 1900382 | pressure connection hose from compressed gas bottle to Keg container | |
| 1900384 | connection hose from Keg to SPÜLBOY® with easy clix® connection | |
| 1900364 | pressure reducer for use on a compressed gas bottle | |



Keg combination tap head



pressure reducer



pressure connection hose



connection hose from Keg to SPÜLBOY®



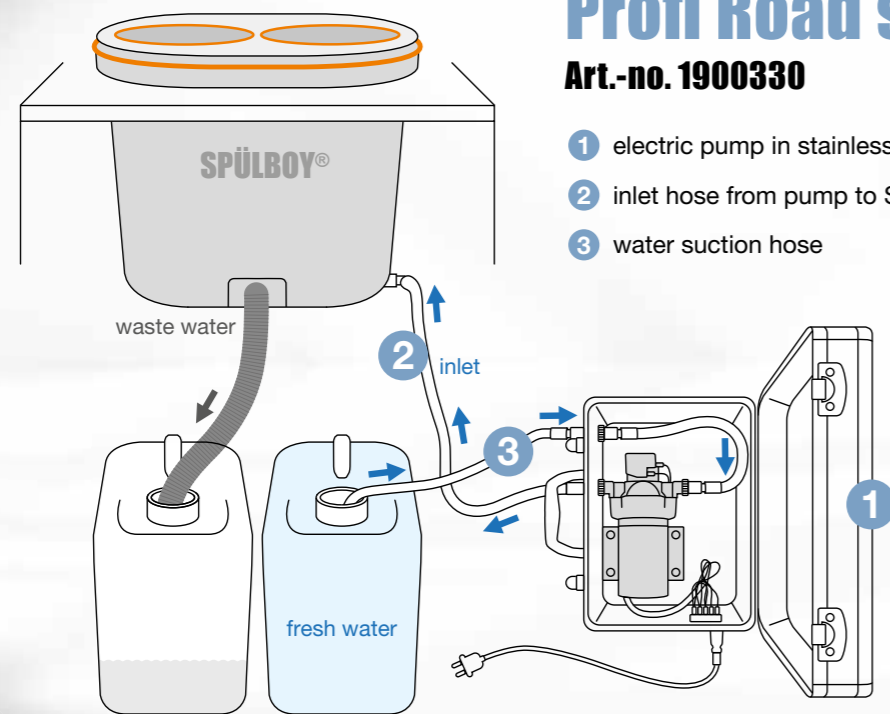
Our complementary sets are compatible with NU on Tour® A STAR modules, Performance counters and pickup sink units.

AQUA MANAGEMENT

COMPLEMENTARY SETS

Always clean on the road!

The NU on Tour® complementary set with electric pump is a powerful companion for professionals who are travelling to trade fairs or events. The pump ensures constant water pressure and a flow rate of 9.5 litres/min at 3.4 bar when rinsing.



Profi Road set

Art.-no. 1900330

- 1 electric pump in stainless steel case
- 2 inlet hose from pump to SPÜLBOY®
- 3 water suction hose

Set article for operation with electric pump, without fixed water connection

| Art.-no. | Description | Equipment |
|----------|--|---|
| 1900330 | NU on Tour® Profi Road complementary set | without fixed water connection, only with electricity |

The Profi Road set consists of:

| | |
|---------|---|
| 1900390 | electric pump in stainless steel case, with power cable |
| 1900386 | inlet hose from pump to SPÜLBOY® with easy clic® connection |
| 1900388 | water suction hose |



electric pump in stainless steel case



water suction hose

inlet hose from pump to SPÜLBOY®



Our complementary sets are compatible with NU on Tour® A STAR modules, Performance counters and pickup sink units.

AQUA MANAGEMENT

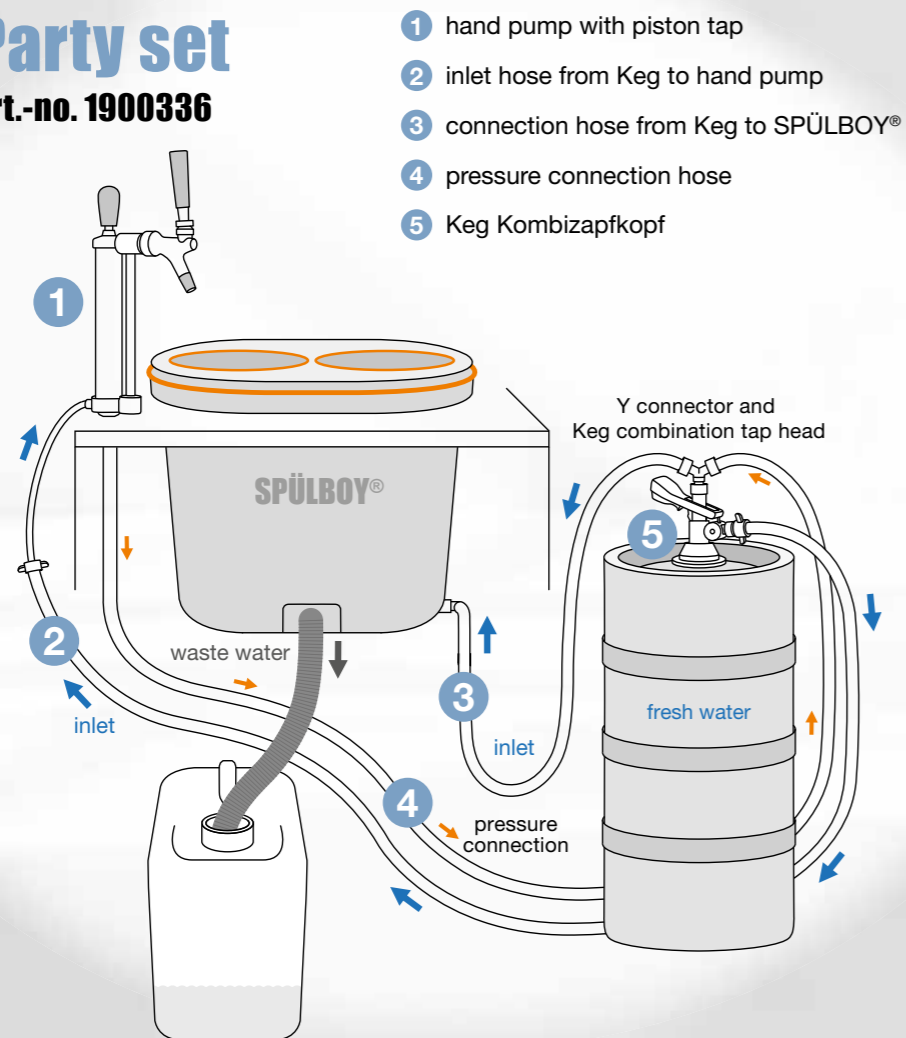
COMPLEMENTARY SETS

Start the party – do it yourself!

No water, no electricity, simply practical without a compressed gas bottle.
Connect the hand pump to the included hose and the Keg combination tap head.
Simply and easily pump air and you can dispense and use your SPÜLBOY®
at the same time.

Party set

Art.-no. 1900336



- 1 hand pump with piston tap
- 2 inlet hose from Keg to hand pump
- 3 connection hose from Keg to SPÜLBOY®
- 4 pressure connection hose
- 5 Keg Kombizapfkopf

Set article for operation with hand pump, without fixed water connection

| Art.-no. | Description | Equipment |
|----------|-------------------------------------|--|
| 1900336 | NU on Tour® Party complementary set | completely independent, without electricity compressed gas or fixed water connection |

The Party set consists of:

| | |
|---------|---|
| 1900368 | Keg combination tap head |
| 1900392 | hand pump with piston tap, table mounting thread and Y connector |
| 1900381 | inlet hose from Keg to hand pump |
| 1900383 | pressure connection hose from hand pump to Keg combination tap head |
| 1900384 | connection hose from Keg to SPÜLBOY® with easy clicx® connection |



Our complementary sets are compatible
with NU on Tour® A STAR modules,
Performance counters and pickup sink units.

AQUA MANAGEMENT

EQUIPMENT FOR SET ARTICLES



Intelligent configuration!

NU on Tour® Aqua Management is well thought out down to the detail. To ensure that our hygiene modules, washing counters and pick-up tables can be easily connected at any event location, you will always find the right accessories in our range.



Great goody, e.g. as a supplement for NU on Tour® pickup tables!

additionally available: drinking water tap
Art.-no. 1900395

Always fits!

With reducers, the SPÜLBOY® devices can be easily connected to fresh water anywhere.

quick & easy screwing



Art.-no. 2990



Art.-no. 2992



connection hose

| Art.-no. | Description | Equipment & use | |
|----------|-------------------------------|-----------------------------------|-----------------------------------|
| 1900380 | water connection hose for Keg | connection for filling of the Keg | 3m special hose from 3/4" to 5/8" |

Connection pieces

| Art.-no. | Description | Equipment & use | |
|----------|------------------------------------|--|---------------------------------|
| 2974 | reducer 1/2" [IT] to 3/8" [ET] | incl. seal chrome-plated | external hexagon |
| 2975 | reducer 3/4" [IT] to 3/8" [ET] | incl. seal chrome-plated | external hexagon |
| 2976 | reducer M22x1 [IT] to 3/8" [ET] | fine thread incl. seal, chrome-plated | for connection to household tap |
| 2977 | reducer M22x1 [IT] to 1/2" [ET] | fine thread incl. seal, chrome-plated | for connection to household tap |
| 2978 | reducer M22x1 [IT] to 3/4" [ET] | fine thread incl. seal, chrome-plated | for connection to household tap |
| 2990 | flow rate regulator | water quantity reduction for all SPÜLBOY® devices with 3/8" connection in- and outside | |
| 2992 | quick coupling drinking water (TK) | coupling for all SPÜLBOY® devices from TK to 3/8" external thread | |

Goodies

| Art.-no. | Description | Equipment & use |
|----------|--------------------------|--|
| 1900395 | tap for drinking water | for tapping of drinking water 360° rotatable |
| 1900320 | water canister 30 litres | for fresh or gray water 48 x 25 x 36cm |

AQUA MANAGEMENT

KEG TECHNOLOGY

**Uncompromising fresh!
DRINKING WATER**

SPÜLBOY® Aqua Management – tap drinking water like a pro!

Our mobile water handling system combines minimal equipment with maximum benefits. With Keg technology, you are on the safe side when transporting and storing drinking water.

Stainless steel or plastic Kegs are lightweight but robust, impact and pressure-proof and resistant to moisture. They guarantee the uncompromising freshness of the keg contents and set pioneering hygiene standards.

**quick & easy
refillable**



Art.-no. 1900310
overhead frame for
(re)filling of Keg barrels



Art.-no. 1900312
stainless steel
triangular base for a
pressurised gas bottle

Keg barrels

| Art.-no. | Description | Use |
|----------|------------------------------------|---------------------------------------|
| 1900314 | light container plastic, 30 litres | storage & transport of drinking water |
| 1900316 | light container plastic, 20 litres | storage & transport of drinking water |

Keg equipment

| Art.-no. | Description | Use |
|----------|------------------------------|---|
| 1900310 | overhead frame made of metal | holder for filling 20 litre & 30 litre light containers |
| 1900312 | bottle holder | stainless steel triangular base for the safe stand of pressurised gas bottles |
| 1900364 | pressure reducer | with pressure gauge & level indicator for screwing onto a compressed gas bottle |
| 1900368 | Keg combination tap head | for filling with drinking water and for tapping of drinking water |

✓ **uncomplicated handling**

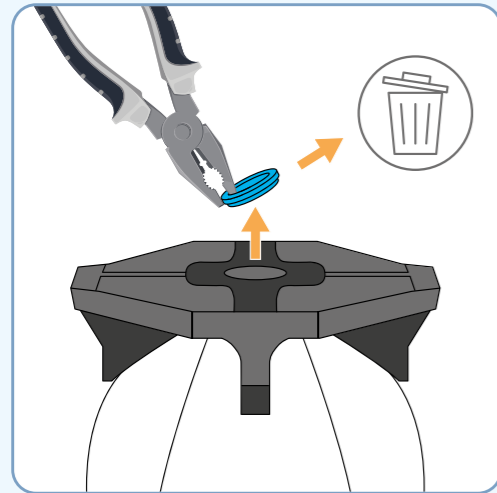
✓ **guaranteed fresh water**

✓ **quick & easy refillable**

HOW TO FILL THE KEG

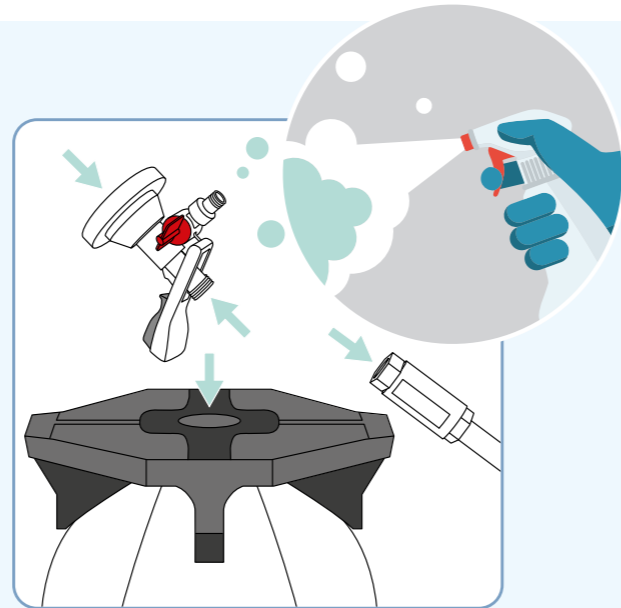


The hereby described application is exclusively suited and tested for using drinking water!



PREPARE

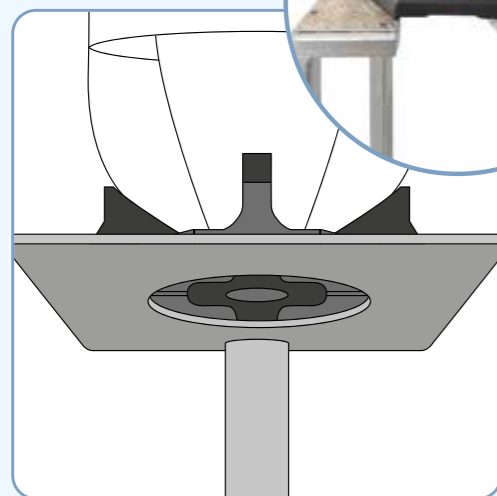
Remove the transportation- and hygiene protection cap and dispose it adequately.



FILLING STEP 1

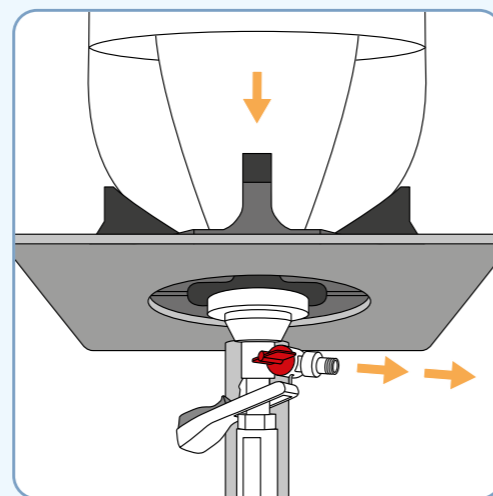
Any contact areas between the Keg fitting and the Keg tap head for filling as well as the connecting hose are to be disinfected.

Art.-no. 1900310
overhead frame made of galvanised metal and alu checker plate



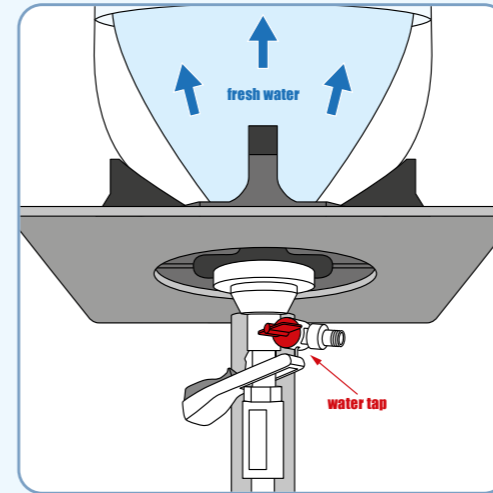
FILLING STEP 2

Place the Keg onto a filling stand, upside down.



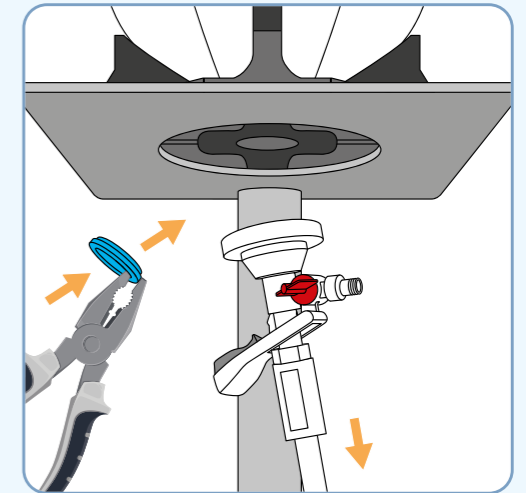
FILLING STEP 3

Connect the Keg head with the connecting hose and depressurize the Keg over an outlet to the side (let the pressure out).



FILLING STEP 4

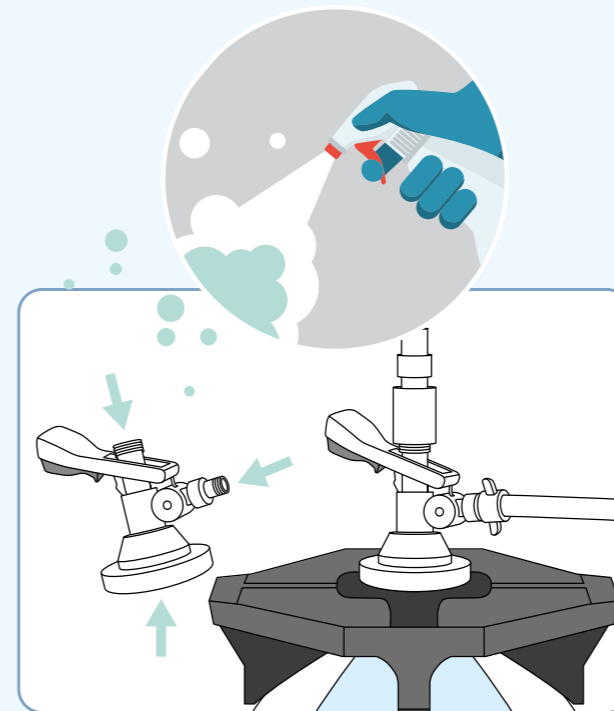
To fill, open the water tap (red lever vertically on the filling head). The air pressure in the Keg will increase due to the displacement effect of the incoming water.



FILLING STEP 5

Wait for a few seconds before closing the water supply and remove the filling head from the Keg.

Lastly, close the Keg with a new, disinfected transportation- and hygiene protection cap.



READY TO GO

COMMISSIONING

Disinfect contact areas between the Keg fitting and the tap head.

Connect the Keg tap head adequately with a compressed gas bottle (3/4" sideways) and the SPÜLBOY® water supply hose (5/8" above). Set up and lock your Keg that's now ready for use.

Set the pressure of the pressure operator (choose between CO2 or nitrogen) to somewhere between a minimum of 1.8 and a maximum of 2.5 bar.



CAUTION Risk of explosion!

ALWAYS allow the pressure to escape from the Keg at the end of operation. **DO NOT PLACE EMPTY KEGS IN THE SUN.**



Schäfer Produkte GmbH
Simonshöfchen 53
42327 Wuppertal/Germany
Phone: +49 (0) 202 695 32-0
E-Mail: info@spuelboy.de

www.spuelboy.de

